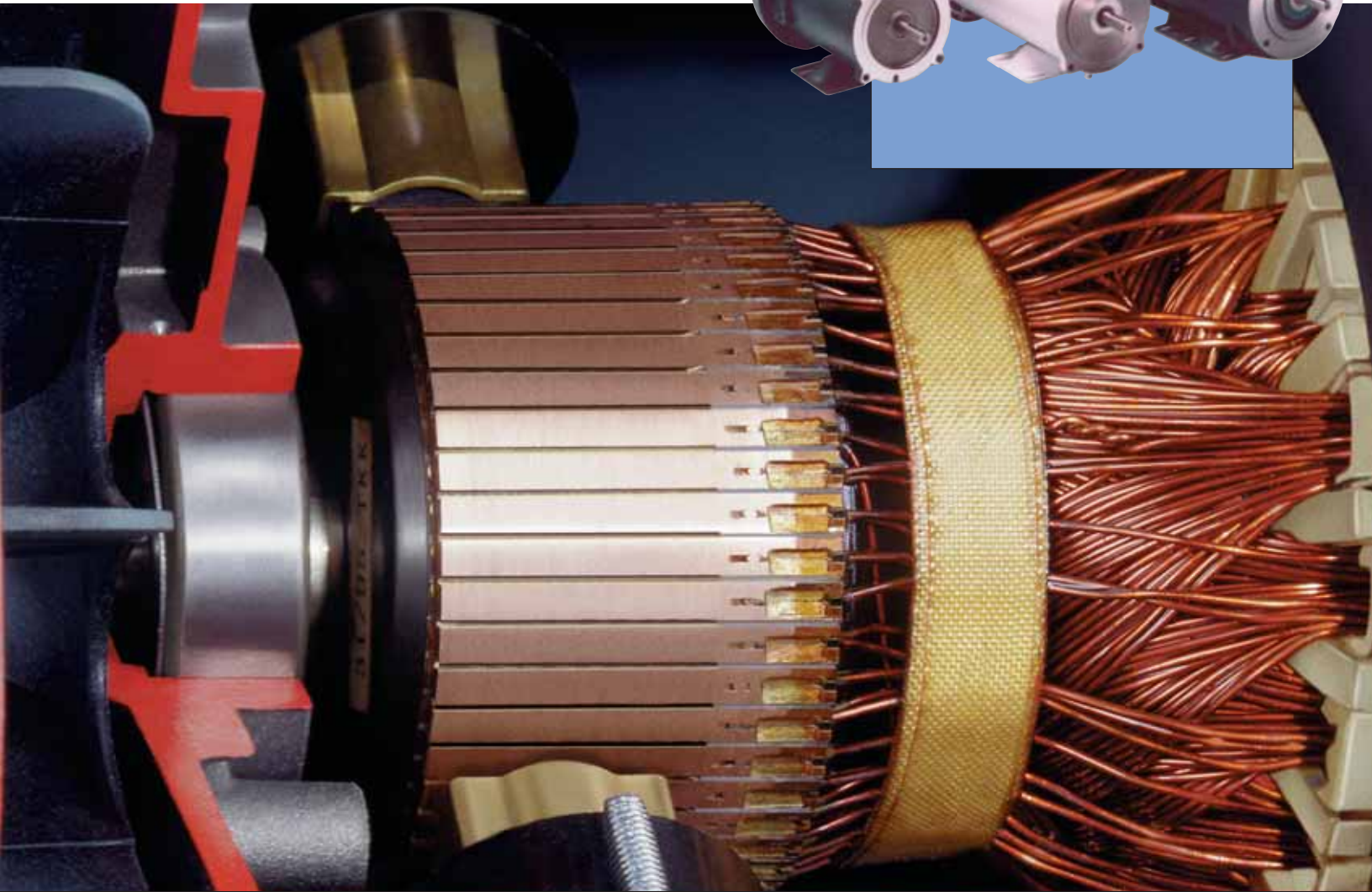


Extended-Life Performance



**Reliance® RPM XL
Fractional DC Motors**



RELIANCE

RPM XL DC Motors 1/8-2 HP Single-Phase Variable-Speed NEMA 56 C-Face Mounting

EXTENDED BRUSH AND MOTOR LIFE FOR SUPERIOR PERFORMANCE

The Reliance® RPM XL fractional DC motors provide dependable, variable-speed performance in a wide variety of industrial and commercial applications.

Extended Life Designed for low maintenance and extended life, RPM XL motors include several innovative features that provide measurable improvements in performance, including a new brush design that has been proven in independent testing to outlast competitive motor brushes 4 to 1.

Efficient These motors have permanent magnet fields, for reduced energy costs in comparison with wound field motors. Since there is no need for a field power supply, installation and maintenance costs are also reduced.

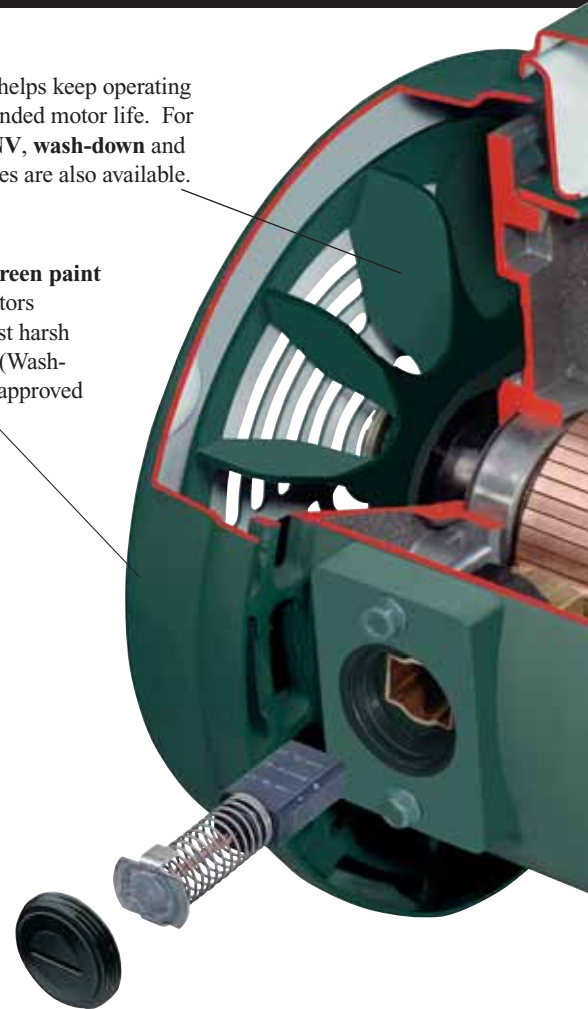
Performance Matched The RPM XL is designed to operate with single-phase DC controllers. When used with a NEMA power code K, these motors deliver 20:1 constant torque speed range on most ratings, with no overframing required. Torque at start-up is up to 650% of rated full load torque.

Approved RPM XL motors are manufactured under ISO-9001 certification; U/L component recognized and CSA approval are standard.

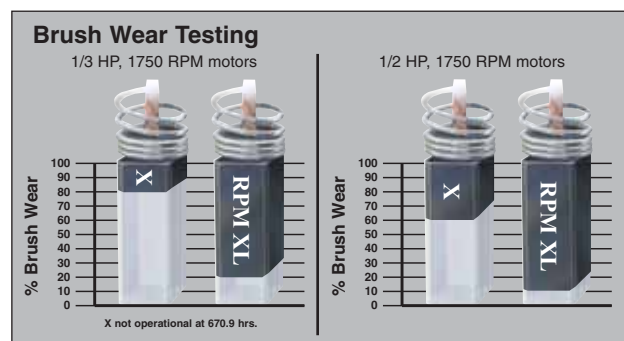
Reliable If you're looking for a small, high-performance, low-maintenance DC motor with variable-speed capabilities and lasting reliability, the Reliance RPM XL offers the characteristics you need from a manufacturer you trust.

Standard TEFC design helps keep operating temperatures low for extended motor life. For special applications, **TENV**, **wash-down** and **explosion proof** enclosures are also available.

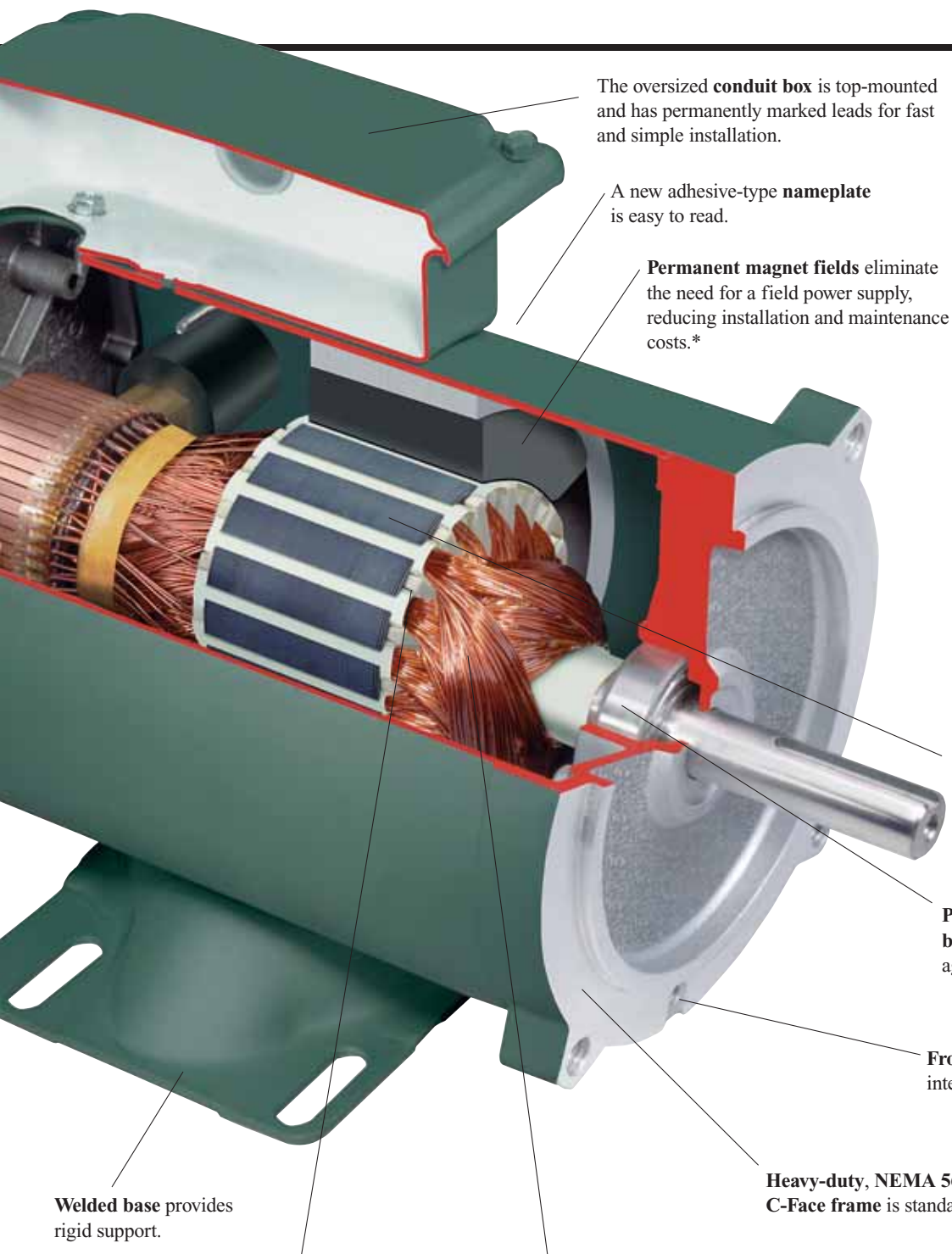
High-grade **epoxy blue-green paint** with non-toxic rust inhibitors provides protection against harsh industrial environments. (Wash-down motors use USDA-approved white epoxy paint.)



Oversized **brushes** are made of a new, longer lasting material. The **armature** is electrically balanced to protect the brushes against arcing. **Cartridge-style brush holders** promote regular brush inspection and maintenance. **Brass inserts and stainless steel springs** hold the brushes in place, ensuring constant pressure on the commutator, further extending brush life.



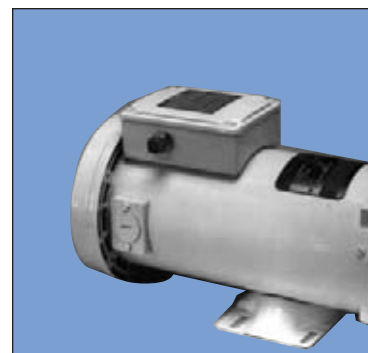
Independent testing compared Reliance RPM XL motors with a competitor's motors of the same rating. The results? The brush life of our new RPM XL small DC motors proved **at least four times longer** than the competition's. Testing details available upon request.



The oversized **conduit box** is top-mounted and has permanently marked leads for fast and simple installation.

A new adhesive-type **nameplate** is easy to read.

Permanent magnet fields eliminate the need for a field power supply, reducing installation and maintenance costs.*



Wash-down models are available for severe, industrial applications, including food processing environments, where protection against contaminants, steam and high-pressure cleaning is critical. Special features include **lip seals** on both ends of the motor shaft to restrict water entry; a high-strength **stainless steel shaft** that resists corrosive environments; a **gasketed conduit box**; **double-sealed bearings**; **USDA-approved white epoxy paint**; and a **corrosion-resistant fan**.

Armature Class F non-hygroscopic insulation system, rated at 180° C, helps to extend motor life.

Permanently lubricated double-shielded ball bearings keep out dirt while guarding against grease loss.

Front and back drains protect the motor interior from water contamination.

Heavy-duty, NEMA 56 C-Face frame is standard.

The **armature winding** uses an improved, multiple-section design for improved motor performance and extended brush life.

Thermostats are available on a production basis or from stock. **IEC enclosures** are also available on a production basis. Convenient kits are available for **optional tachometer mounting**.

Welded base provides rigid support.

Molded plastic end lamination and shaft protection for extended electrical and mechanical endurance.

* Wound field models also available from stock.

www.baldor.com www.ptplace.com www.dodge-pt.com www.reliance.com



Baldor Electric Company Headquarters

P.O. Box 2400, Fort Smith, AR 72902-2400 U.S.A., Ph: (1) 479.648.5792, Fax (1) 479.648.5792, International Fax (1) 479.648.5895

Baldor - DODGE/Reliance

6040 Ponders Court, Greenville, SC 29615-4617 U.S.A., Ph: (1) 864.297.4800, FAX: (1) 864.281.2433

4/07 Copyright © 2007 Baldor Electric Company All Rights Reserved. Printed in USA.

This material is not intended to provide operational instructions. Appropriate instruction manuals and precautions should be studied prior to installation, operation or maintenance of equipment.