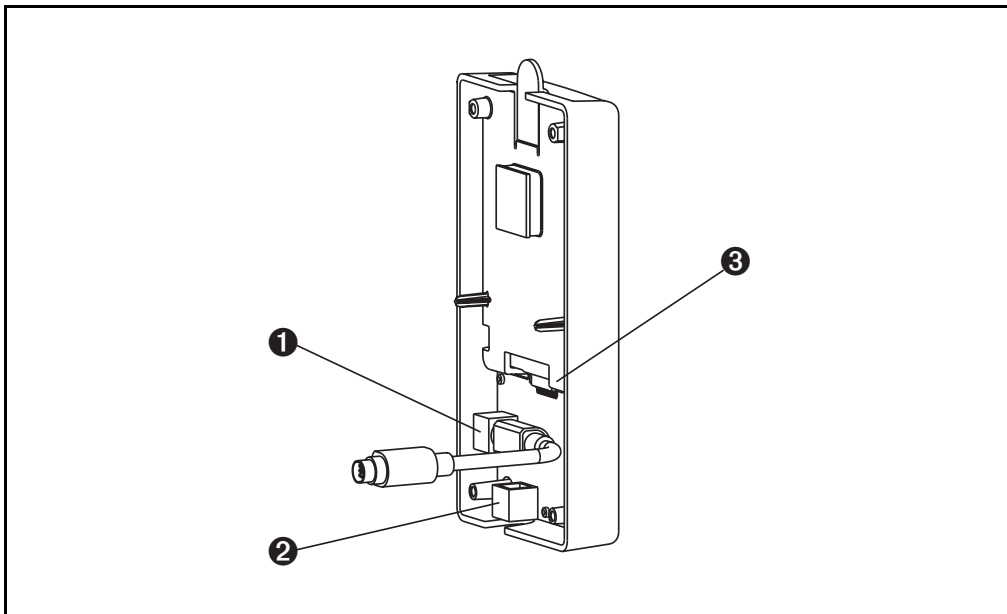


Using the REBZL-N1 Bezel Kit

Instruction Manual D2-3562



The REBZL-N1 Bezel Kit allows remote OIM (Operator Interface Module) operation and provides an additional remote DPI port for accessories. The bezel cradle connection is used to mount a NEMA1 OIM and is designated Port 3. The accessory port on the bottom of the bezel is for standard DPI peripherals such as RECOMM-232, RECOMM-USB, or another handheld OIM, and is designated Port 2 (just like the accessory port on the drive). The internal connection on the back side of the bezel is used to connect the bezel to the host drive using a standard DPI male-to-male cable. The REBZL-N1 Bezel Kit includes mounting screws, cabinet grommet, and a three (3) meter cable (**Note:** The OIM is not included.). The kit can be mounted up to nine (9) meters from the drive using the RECBL-M90 cable or up to 100 meters from the drive using the screw terminal adaptor kit 1202-CBL-KIT-100M. The REBZL-N1 Bezel Kit cannot be used with a RECBL-SSP two-way splitter cable.



No.	Connector	Port ID	Description
①	Internal Connection	--	Connects the REBZL-N1 Bezel Kit to the drive.
②	Lower DPI Port ⁽¹⁾	Port 2	Connects a RECOMM-232 or RECOMM-USB converter to the drive.
③	Cradle Connection ⁽¹⁾	Port 3	Connects the OIM to the bezel.

(1) The bezel's lower DPI port is always Port 2, and the cradle connection port is always Port 3.

For the drive to receive its speed reference from:

- The OIM in the bezel, set parameter Speed Ref A Sel (90) or Speed Ref B Sel (93), depending on your application requirements, to “20” (DPI Port 3).
- A remote OIM connected directly into Port 2 on the bottom of the drive, set parameter Speed Ref A Sel (90) or parameter Speed Ref B Sel (93) to “19” (DPI Port 2).

www.rockwellautomation.com

Motors, Drives and Power Transmission Solutions

Americas: Rockwell Automation, 6040 Ponders Court, Greenville, SC 29615-4617 USA, Tel: (1) 864.297.4800, Fax: (1) 864.281.2433

Europe/Middle East/Africa: Rockwell Automation, Herman-Heinrich-Gossen-Strasse 3, 50858 Köln, Germany, Tel: 49 (0) 2234 379410, Fax: 49 (0) 2234 3794164

Asia Pacific: Rockwell Automation, 55 Newton Road, #11-01/02 Revenue House, Singapore 307987, Tel: (65) 6356 9077, Fax: (65) 6356 9011