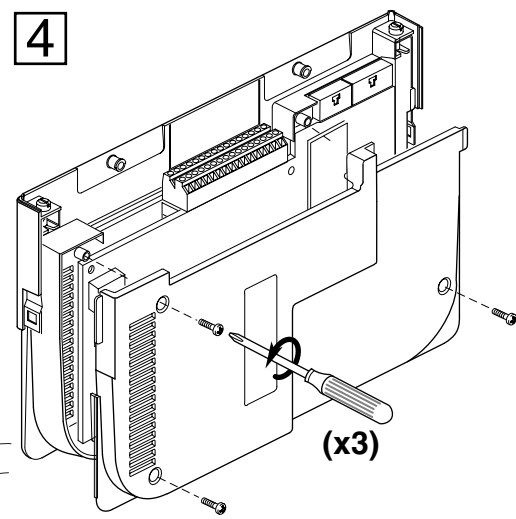
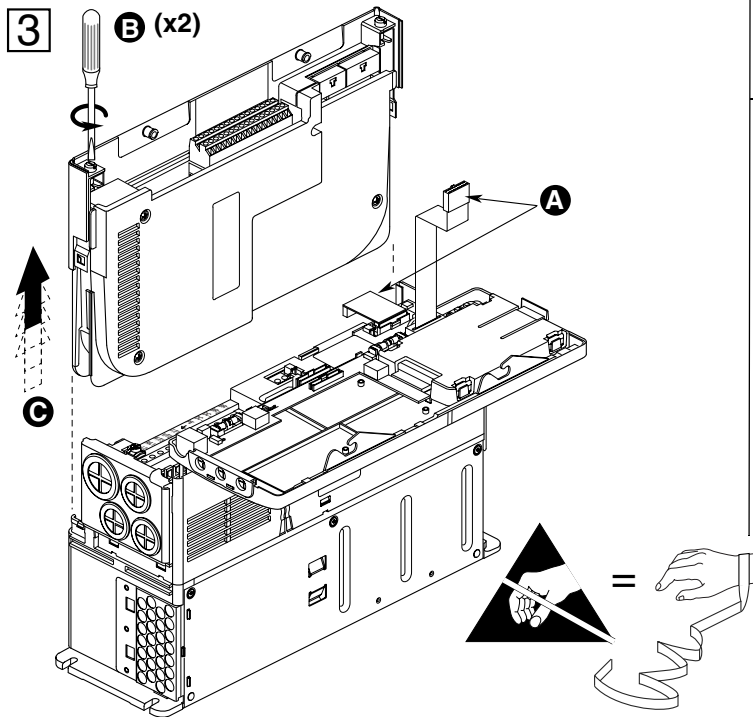
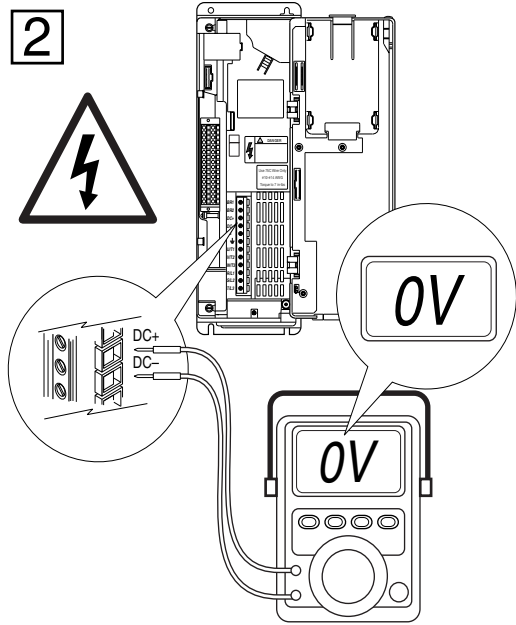
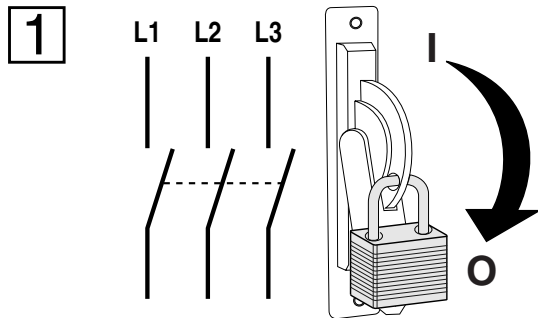


GV6000 Vector Control Option Encoder Board

Instruction Manual D2-3546-1

GV6000 Vector Control Option Encoder Board
Vektorsteuerungsoptionen-Pulsgeberplatine des GV6000
Option carte codeur du GV6000 Contrôle Vectoriel
GV6000 - Scheda encoder con opzione di controllo vettoriale
Tarjeta de Encoder de Opción de Control Vectorial del GV6000
Placa de enconder da opção com controle vetorial do GV6000

Installation Instructions
Installationsanleitung
Installation
Installazione
Instalación
Instalação

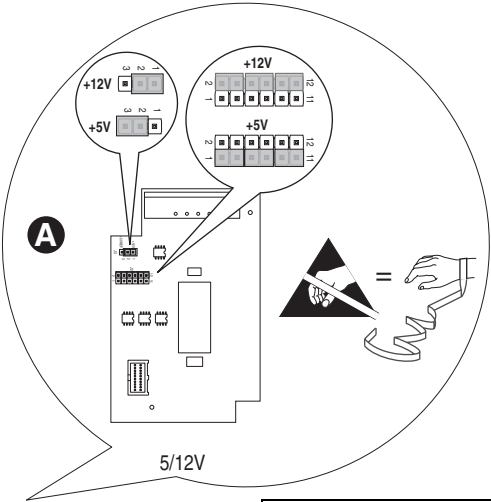
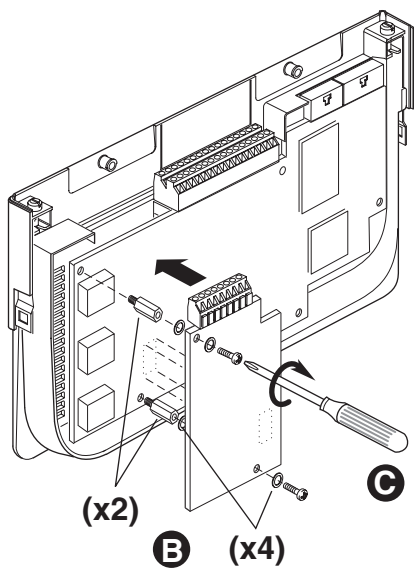


GV6000 is a trademark of Rockwell Automation.

©2005 Rockwell Automation. All rights reserved.

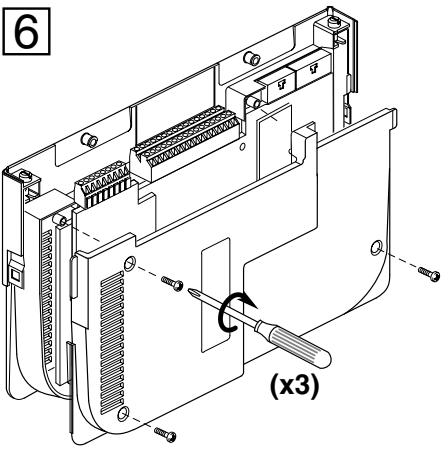
Rockwell
Automation

5

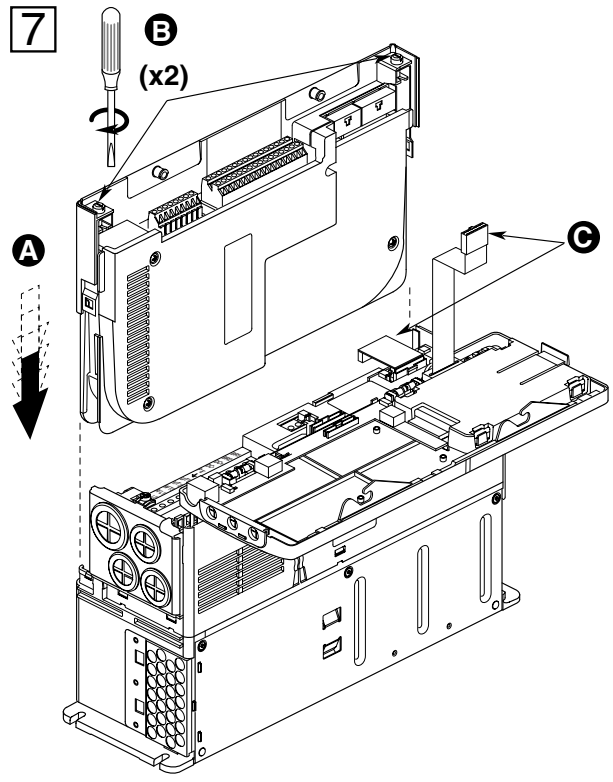


**Important
Wichtig
Importante
Belangrijk**

6



7



www.rockwellautomation.com

Motors, Drives and Power Transmission Solutions

Americas: Rockwell Automation, 6040 Ponders Court, Greenville, SC 29615-4617 USA, Tel: (1) 864.297.4800, Fax: (1) 864.281.2433

Europe/Middle East/Africa: Rockwell Automation, Herman-Heinrich-Gossen-Strasse 3, 50858 Köln, Germany, Tel: 49 (0) 2234 379410, Fax: 49 (0) 2234 3794164

Asia Pacific: Rockwell Automation, 55 Newton Road, #11-01/02 Revenue House, Singapore 307987, Tel: (65) 6356 9077, Fax: (65) 6356 9011

Publication D2-3546-1 July 2005--Supercedes D2-3546 April 2005

Copyright ©2005 Rockwell Automation, Inc. All Rights Reserved. Printed in USA.