

NEMA 1 OIM Bezel Kit Door-Mount for DPI Devices (SP600, GV6000, LiquiFlo 2.0)

Model Number REBZL-N1

Instruction Manual D2-3516-2

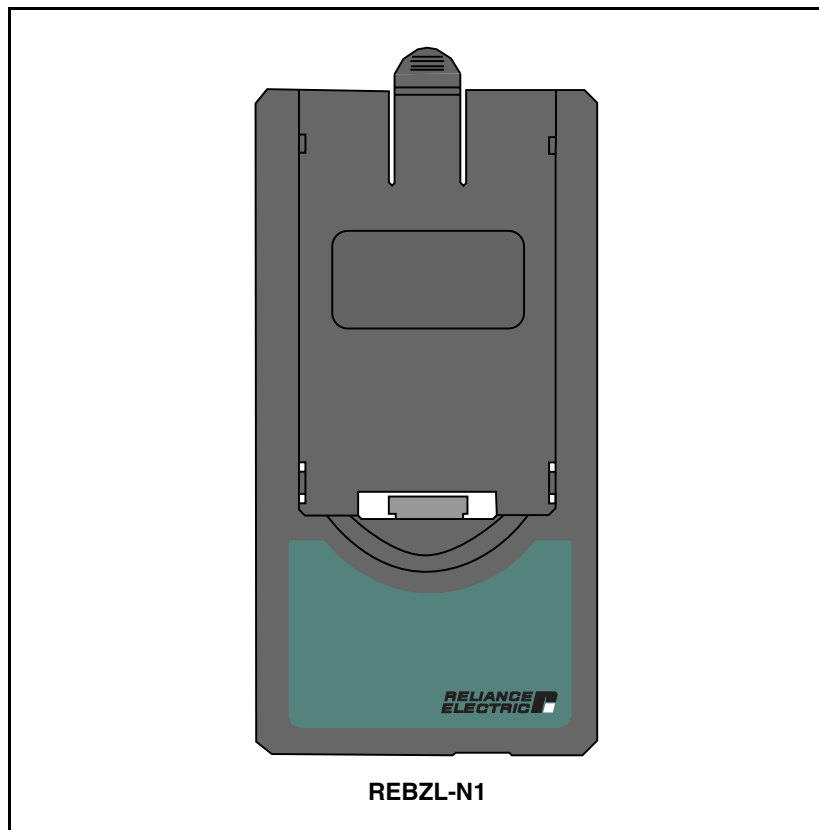


Figure 1 – NEMA 1 OIM Bezel

SP600, GV6000, and LiquiFlo 2.0 are trademarks of Rockwell Automation.

©2005 Rockwell Automation. All rights reserved.

Rockwell
Automation

Dimensions Dimensiones

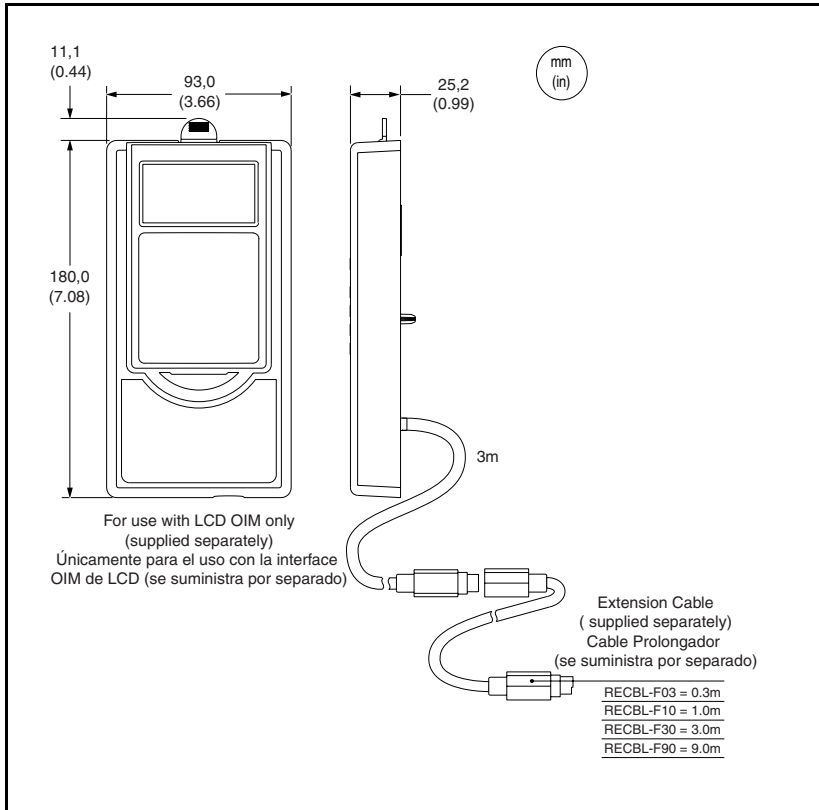


Figure 2 – Bezel Dimensions

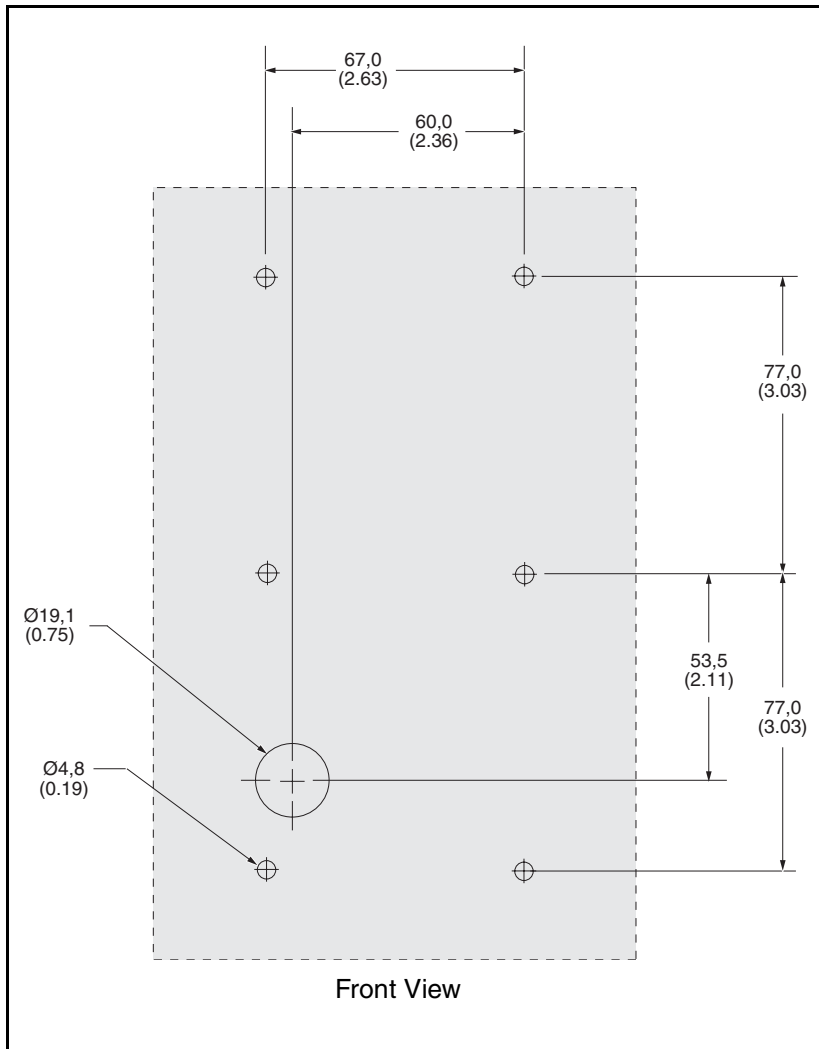


Figure 3 – Mounting Template (Not Actual Size)

Mount Montado

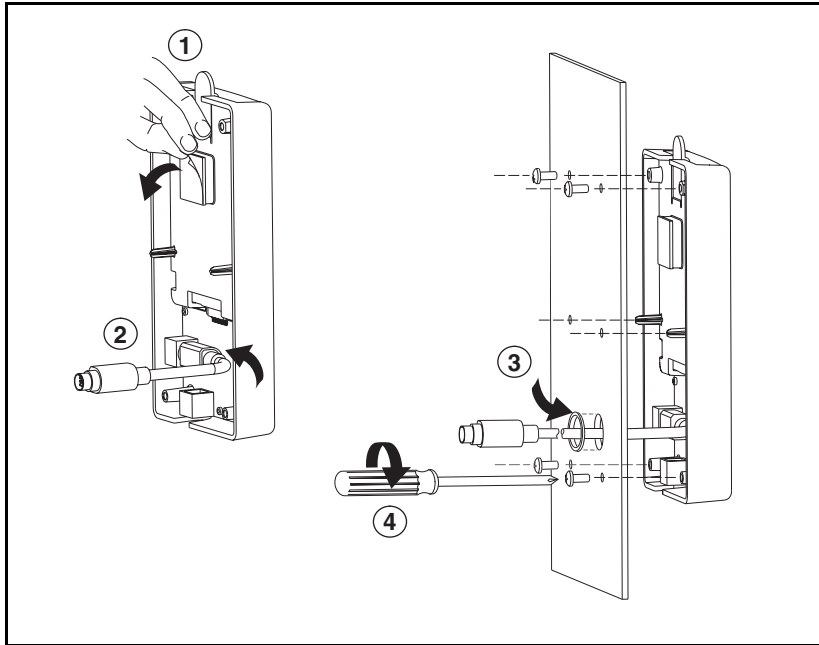


Figure 4 – Mounting the Bezel