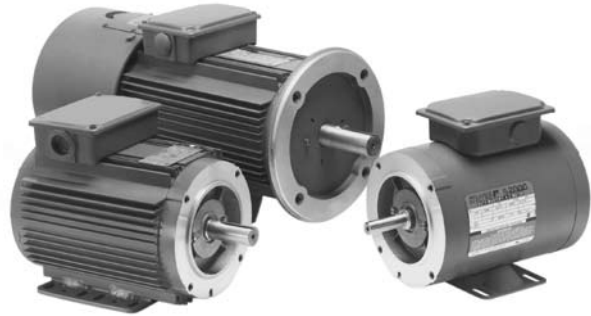


## Small RPM AC Inverter Duty Motor - Pricing

### TOTALLY ENCLOSED NON-VENTILATED (TENV) OR TOTALLY ENCLOSED BLOWER COOLED (TEBC)<sup>(1)</sup> 1/3 - 5HP (56-WE180T FRAMES) 3-PHASE, 230/460V<sup>(2)</sup>

#### FEATURES

- Continuous Duty
- 1000:1 Constant Torque below Base Speed<sup>(3)</sup>
- Overload: 200% for 1 Minute
- NEMA Design B
- Class F Insulation
- 40° C Ambient / 1.0 S.F.
- TENV / TEBC Enclosures Meet IP44 (1/3 - 5HP)
- TENV Enclosures Meet IP55 (1/3 - 3HP)
- Three Thermostats (1 N.C. per Phase)
- Top Mounted Conduit Box with F-1 or F-2 Lead Locations
- Machined Bracket & Shaft Extension for Encoder



HP	Speed		Frame	Enclosure	FLA <sup>(4)</sup>	List Price
	Base	CHP				
1/3	3600	5400	FB56	TENV	1.6/.8	\$343
	3600	5400	FB56	TENV ♦Washdown	1.6/.8	483
	1800	3600	FB56	TENV	1/.5	350
	1800	3600	FB56	TENV ♦Washdown	1/.5	490
	1200	2400	FB56	TENV	1.4/.7	436
	1200	2400	FB56	TENV ♦Washdown	1.4/.7	576
1/2	3600	5400	FB56	TENV	1.6/.8	390
	3600	5400	FB56	TENV ♦Washdown	1.6/.8	530
	1800	3600	FB56	TENV	1.6/.8	400
	1800	3600	FB56	TENV ♦Washdown	1.6/.8	540
	1200	2400	FB56	TENV	2/1	460
	1200	2400	FB56	TENV ♦Washdown	2/1	600
3/4	3600	5400	FB56	TENV	2.2/1.1	438
	3600	5400	FB56	TENV ♦Washdown	2.2/1.1	578
	1800	3600	FB56	TENV	2.2/1.1	450
	1800	3600	FB56	TENV ♦Washdown	2.2/1.1	590
	1200	2400	FC56	TENV	3/1.5	480
	1200	2400	FC56	TENV ♦Washdown	3/1.5	620
1	3600	5400	WC143T	TENV	2.4/1.2	516
	3600	5400	WC143T	TENV ♦Washdown	2.4/1.2	656
	1800	3600	WC143T	TENV	3.2/1.6	460
	1800	3600	WC143T	TENV ♦Washdown	3.2/1.6	600
	1200	2400	WC143T	TENV	3.6/1.8	540
	1200	2400	WD143T	TENV ♦Washdown	3.6/1.8	680
1.5	3600	5400	WC143T	TENV	4/2	660
	3600	5400	WD143T	TENV ♦Washdown	4/2	800
	1800	3600	WC143T	TENV	4.6/2.3	480
	1800	3600	WC143T	TENV ♦Washdown	4.6/2.3	620
	1200	2400	WE145T	TENV	4.4/2.2	640
	1200	2400	WE145T	TENV ♦Washdown	4.4/2.2	780

Price Symbol: RPMAC

## Small RPM AC Inverter Duty Motor - Pricing

**TOTALLY ENCLOSED NON-VENTILATED (TENV) OR  
TOTALLY ENCLOSED BLOWER COOLED (TEBC)<sup>(1)</sup>  
1/3 - 5 HP  
3-PHASE, 230/460V<sup>(2)</sup>**

V\*S Master Motors

RPM AC Motors  
1/3 - 2 HP

RPM AC Motors  
2 - 1,000 HP

Large AC Motors

Small, Medium & Large DC Motors

HP	Speed		Frame	Enclosure	FLA <sup>(4)</sup>	List Price
	Base	CHP				
2	3600	5400	WD145T	TENV	5/2.5	\$690
	3600	5400	WE145T	TENV ✚Washdown	5/2.5	830
	1800	3600	WD145T	TENV	6/3	632
	1800	3600	WD145T	TENV ✚Washdown	6/3	772
	1200	2400	WE184T	TEBC	7/3.5	926
3	3600	5400	WE182T	TENV	7.2/3.8	760
	3600	5400	WE182T	TENV ✚Washdown	7.2/3.8	900
	1800	3600	WE182T	TENV	8.8/4.4	736
	1800	3600	WE182T	TENV ✚Washdown	8.8/4.4	876
	1200	2400	WF184T	TEBC	8.8/4.4	1,146
5	3600	5400	WE184T	TEBC	11.8/5.9	930
	1800	3600	WE184T	TEBC	14.2/7.1	880

For the most current version of Inverter Duty Motor dimension sheets, connection diagrams, design curves, etc., go to [www.reliance.com](http://www.reliance.com).

### Footnotes:

- (1) Blower on TEBC motor is Single (1) Phase, 50/60Hz - 115 Volt Input.
  - (2) Standard voltages available: 230, 460 & 575v. For any other special voltage, please see voltage in modification section.  
For typical full load amps for proper controller sizing, please contact Reliance Electric.
  - (3) Wider speed range available. Contact Reliance Electric Sales for frame size and price on other ratings.
  - (4) For estimating purposes only.
- ✚ IP55 enclosure for severe duty

Price Symbol: RPMAC

M-70

**RELIANCE  
ELECTRIC**