

## Small DC Motors - Dimensions

### PERMANENT MAGNET OR WOUND FIELD

| Enclosure     | Frame            | Mounting                     | Dimension Sheet   |
|---------------|------------------|------------------------------|-------------------|
| TEFC          | SE56C - LE56C    | NEMA C-FACE FOOT OR FOOTLESS | 616050-1          |
| TEFC          | SF56HC - LG56HCZ | NEMA C-FACE FOOT OR FOOTLESS | 616052-1          |
| TEFC-WASHDOWN | SE56C - LE56C    | NEMA C-FACE FOOT OR FOOTLESS | 616050-51         |
|               | SF56HC - LG56HCZ | NEMA C-FACE FOOT OR FOOTLESS | 616052-51         |
| TENV          | SE56C - LE56C    | NEMA C-FACE FOOT OR FOOTLESS | 616049-2          |
| TENV          | SF56HC - LG56HCZ | NEMA C-FACE FOOT OR FOOTLESS | 616053-2          |
| FCXP          | HM56HC - HE56HC  | NEMA C-FACE WITH FEET        | 600702-23         |
| IEC IP55      | SE71 - LE71      | B5/FOOTLESS                  | 616050-21         |
|               |                  | B14/FOOTLESS                 | 616050-22         |
| IEC IP55      | SF80 - LG90      | B5/FOOTLESS                  | 616052-31 (80 mm) |
|               |                  |                              | 616052-41 (90 mm) |
| IEC IP55      | SF80 - LG90      | B14/FOOTLESS                 | 616052-32 (80 mm) |
|               |                  |                              | 616052-42 (90 mm) |

### TYPICAL WEIGHTS

| Frame  | TEFC Weight (lbs) | TEFC Washdown (lbs) |
|--------|-------------------|---------------------|
| SE56C  | 19                | 26                  |
| ME56C  | 24                | 31                  |
| LE56C  | 33                | 40                  |
| SF56C  | 34                | 42                  |
| MF56C  | 44                | 52                  |
| LF56C  | 54                | 62                  |
| SFG56C | 34                | 39                  |
| MG56C  | 38                | 46                  |
| LG56C  | 49                | 57                  |

V-S Master Motor

PPM AC Motors  
1/3 - 5 Hp

PPM AC Motors  
2 - 1,000 HP

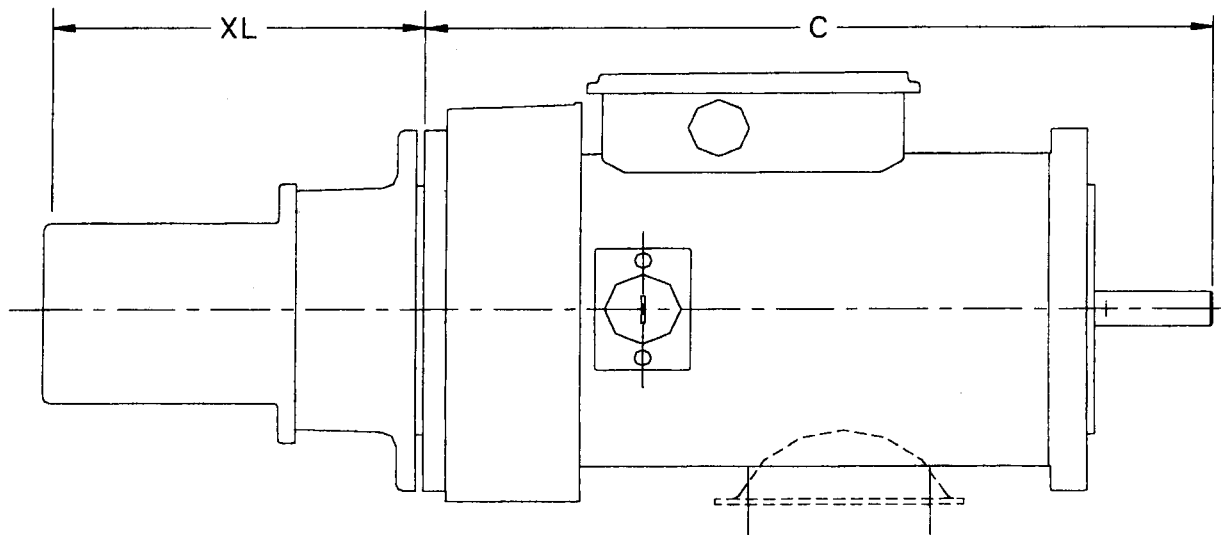
Large AC Motors

Small, Medium & Large DC Motors

# Small DC Motors - Dimensions

## TACH DIMENSIONS

| Frame                   | "C"   | RE-007 &<br>RE-020 "XL" | BC-42 "XL" | BC-46 "XL" | 5PY "XL" | RPY444 "L" |
|-------------------------|-------|-------------------------|------------|------------|----------|------------|
| SE56C                   | 12.96 | 4.06                    | 13.5       | 15.62      | 9.26     | 9.26       |
| SE56C (Washdown)        | 13.19 | 4.26                    | 13.5       | 15.62      | 9.26     | 9.26       |
| ME56C                   | 13.96 | 4.06                    | 13.5       | 15.62      | 9.26     | 9.26       |
| ME56C (Washdown)        | 14.19 | 4.26                    | 13.5       | 15.62      | 9.26     | 9.26       |
| LE56C                   | 15.96 | 4.06                    | 13.5       | 15.62      | 9.26     | 9.26       |
| LE56C (Washdown)        | 16.19 | 4.26                    | 13.5       | 15.62      | 9.26     | 9.26       |
| SF56C, SG56C            | 15.96 | 4.06                    | 13.5       | 15.62      | 9.26     | 9.26       |
| SF56C, SG56C (Washdown) | 16.19 | 4.26                    | 13.5       | 15.62      | 9.26     | 9.26       |
| MF56C, MG56C            | 17.46 | 4.06                    | 13.5       | 15.62      | 9.26     | 9.26       |
| MF56C, MG56C (Washdown) | 17.69 | 4.26                    | 13.5       | 15.62      | 9.26     | 9.26       |
| LF56C                   | 19.02 | 4.06                    | 13.5       | 15.62      | 9.26     | 9.26       |
| LF56C (Washdown)        | 19.25 | 4.26                    | 13.5       | 15.62      | 9.26     | 9.26       |
| LG56C                   | 18.96 | 4.06                    | 13.5       | 15.62      | 9.26     | 9.26       |
| LG56C (Washdown)        | 19.19 | 4.26                    | 13.5       | 15.62      | 9.26     | 9.26       |



V\*S Master Motors

RPM AC Motors  
1/3 - 2 HP

RPM AC Motors  
2 - 1,000 HP

Large AC Motors

Small, Medium & Large DC Motors