

Motor Bases, Adapter

These adapters permit mounting of new NEMA frames so that shaft extension ends are positioned interchangeably with the old line NEMA frames they replace. All adapter mountings are supplied as individually packaged kits with complete instructions.

Frame	Ordering Number	Notes	List Price	Price Symbol	Approx. Wt. (lb)
182-143T	602123-2A		\$69	RSE56	3
184-145T	602123-2A		69	RSE56	3
213-182T	42384-17-A		130	RSE56	3
215-184T	42384-17-A		130	RSE56	3
254U-213T	42384-17-B		130	RSE56	6
256U-215T	42384-17-B		130	RSE56	6
284U-254T	42384-17-C		130	RSE56	7
286U-256T	42384-17-C		130	RSE56	7
324U-284T	42384-17-D		167	RSE56	11
326U-286T	42384-17-D		167	RSE56	10
326U-284TS	42384-17-G		220	RSE56	10
364U-324TS	42384-17-E		286	RSE56	14
365U-326T	42384-17-E		286	RSE56	15
404U-364T	42384-17-P		294	RSE56	20
404US-364TS	42384-17-R		340	RSE56	21
405U-365T	42384-17-P		294	RSE56	21
404US-364TS	42384-17-R		340	RSE56	21
444U-364T	42384-17-S		451	RSE56	95
445U-365T	42384-17-S		451	RSE56	95

Synchronous - Permanent

Synchronous - Reluctance

Kin Duty

Submersible

Accessories & Kits

Modifications

For additional product information, go to www.reliance.com

Motor Bases, Sliding

Bases for use with AC Motors - T-Frame and U-Frame

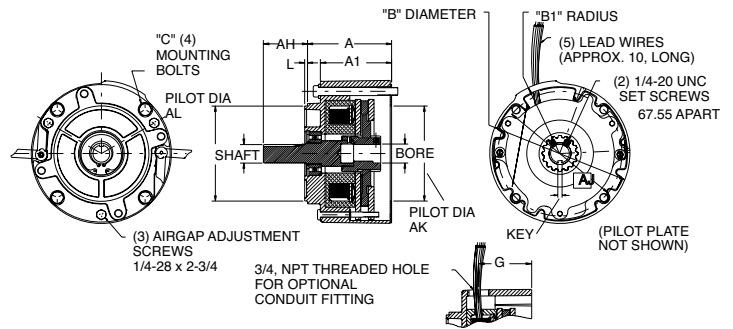
Frame	Ordering Number	Notes	List Price	Price Symbol	Approx. Wt. (lb)
56	413330-10F		\$40	RSE56	5
143T	79068-24A		69	RSE56	6
145T	79068-24B		69	RSE56	6
182T, U	42384-U		85	RSE56	9
184T, U	42384-V		85	RSE56	10
213T, U	42384-W		95	RSE56	15
215T, U	42384-X		95	RSE56	16
254T, U	42384-D		140	RSE56	18
	42384-4E	21	172	RSE56	20
256T, U	42384-Y		140	RSE56	22
	42384-4P	21	172	RSE56	22
284T, U	42384-E		167	RSE56	27
	42384-4M	21	191	RSE56	27
286T, U	42384-Z		167	RSE56	22
	42384-4T	21	191	RSE56	25
324T, U	42384-F		229	RSE56	37
	42384-4R	21	254	RSE56	40
326T, U	42384-G		229	RSE56	32
	42384-4D	21	254	RSE56	37
364T, U	42384-H		297	RSE56	49
	42384-4U	21	320	RSE56	49
365T, U	42384-J		297	RSE56	45
	42384-4V	21	320	RSE56	49
404T, U	42384-K		599	RSE56	60
	42384-4F	21	599	RSE56	55
405T, U	42384-L		599	RSE56	61
	42384-4G	21	599	RSE56	65
444T, U	42384-M		665	RSE56	83
	42384-4H	21	665	RSE56	74
445T, U	42384-N		665	RSE56	85
	42384-4J	21,22	665	RSE56	75
447/9T	702694-3R	23	2767	RSE56	102

For pricing information or to place orders, go to www.PTplace.com

Double C-Face Motor Brakes



DBSS Model



COMPLETE UNIT PART NUMBER - DISCOUNT CB20

Standard Enclosure		Unit Size --- Static Torque					
		3-Ft.-Lbs	6-Ft.-Lbs	10-Ft.-Lbs	15-Ft.-Lbs	20-Ft.-Lbs	25-Ft.-Lbs
DOUBLE C-FACE	DBSS Complete Units 56 Frame, 5/8" Bore	\$578	\$622	\$702	\$808	\$1,078	\$1,302
	115/230 VAC 60 Hz (1)	31369	31411	31453	31342	31345	31348
	230/460 VAC 60 Hz (2)	31371	31413	31455	31343	31346	31349
	287/575 VAC 60 Hz (3)	31373	31415	31457	31344	31347	31350
	104/208 VAC 60 Hz (4)	31088	31100	31112	31124	31136	31148
	190/380 VAC 50 Hz (5)	31089	31101	31113	31125	31137	31149
	250/500 VAC 50 Hz	31090	31102	31114	31126	31138	31150
	DBSS Complete Units 140 Frame, 7/8" Bore						
	115/230 VAC 60 Hz (1)	31375	31417	31459	31495	31525	31555
	230/460 VAC 60 Hz (2)	31377	31419	31461	31497	31527	31557
	287/575 VAC 60 Hz (3)	31379	31421	31463	31499	31529	31559
	104/208 VAC 60 Hz (4)	31094	31106	31118	31130	31142	31154
	190/380 VAC 50 Hz (5)	31095	31107	31119	31131	31143	31155
	250/500 VAC 50 Hz	31096	31108	31120	31132	31144	31156

NOTES:

Bold Part Numbers are stock units. Other voltage units available on standard non-stock basis.

Coil will operate at the following voltages:

- (1) 15/208-230 VAC 50 or 60 Hz, 133/265 VAC 60 Hz, 110-125 VDC
- (2) 08-230/460 VAC 50 or 60 Hz, 240/480 VAC 60 Hz, 220/440 VAC 50 Hz, 230 VDC
- (3) 287/575 VAC 60 Hz, 300/600 VAC 60 Hz
- (4) 104/208 VAC 50 or 60 Hz, 100/200 VAC 60 Hz, 90-95 VDC
- (5) 190/380 VAC 50 Hz, 200/400 VAC 60 Hz, 206/416 VAC 50 Hz

DIMENSIONS

Standard Enclosure Double C-face Coupler

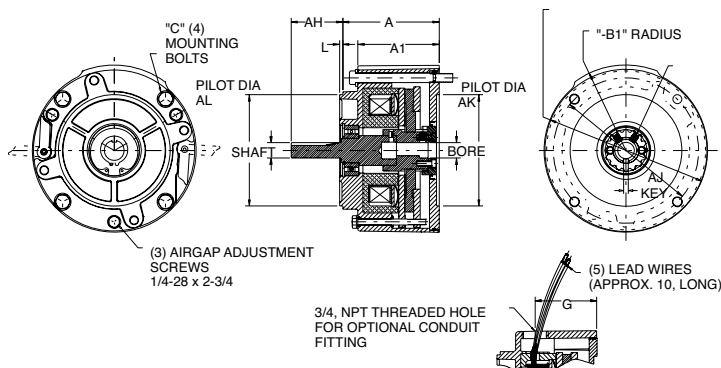
Unit Size	Inertia Friction Disc & Hub (Lb.-In ²)	Input Bore & Output Shaft Dia.	Output Keyway & Input Key	A Max	A1 Nom	AK Pilot Dia.	AL Pilot Dia.	AH	AJ	B Dia. Max	B1 Radius Max.	C Mounting Bolts	G	L	Shipping Weight (Lbs)
56DBSS-3	1.73	5/8"	3/16 x 3/32	3.97	3.36	4.5	4.5	2.12	5.88	6.63	3.46	3/8/16 UNC-2A (4) Equally Spaced on 5.875 Dia. Bolt Circle	2.57	0.13	13.2
56DBSS-6															
56DBSS-10															
56DBSS-15															
56DBSS-20															
56DBSS-25															
140DBSS-3	1.74	7/8"	3/16 x 3/32	3.97	3.36	4.5	4.5	2.12	5.88	6.63	3.46		2.57	0.13	13.3
140DBSS-6															
140DBSS-10															
140DBSS-15															
140DBSS-20															
140DBSS-25															

For additional product information, go to www.reliance.com

Double C-Face Motor Brakes



DBES Model



COMPLETE UNIT PART NUMBERS - DISCOUNT CB20

E-Z KLEEN Enclosure		Unit Size-Static Torque					
		3 Ft- Lbs	6 Ft- Lbs	10 Ft- Lbs	15 Ft- Lbs	20 Ft- Lbs	25 Ft- Lbs
DOUBLE C-FACE	DBES Complete Units 56 Frame, 5/8, Bore	\$900	\$1,078	\$1,188	\$1,302	\$1,442	\$1,700
	115/230 VAC 60 Hz (1)	30381	30384	30387	30390	30393	30396
	230/460 VAC 60 HZ (2)	30382	30385	30388	30391	30394	30397
	287/575 VAC 60 Hz (3)	30383	30386	30389	30392	30395	30398
	DBES Complete Units 140 Frame, 7/8, Bore						
	115/230 VAC 60 Hz (1)	29400	29403	29406	29409	29412	29415
	230/460 VAC 60 HZ (2)	29401	29404	29407	29410	29413	29416
	287/575 VAC 60 Hz (3)	29402	29405	29408	29411	29414	29417

NOTE:

*All torque ratings and voltages not listed here are available as standard non-stock units.

Please contact DODGE Customer Service for part numbers, pricing & availability.

Coil will operate at the following voltages:

- (1) 115/208-230 VAC 50 or 60 Hz, 133/265 VAC 60 Hz, 110-125 VDC
- (2) 208-230/460 VAC 50 or 60 Hz, 240/480 VAC 60 Hz, 220/440 VAC 50 Hz, 230 VDC
- (3) 287/575 VAC 60 Hz, 275/550 VAC 60 Hz, 300/600 VAC 60 Hz

DIMENSIONS

E-Z KLEEN Double C-Face Coupler

Unit Size	Inertia Friction Disc & Hub (Lb.-In ²)	Input Bore & Output Shaft Dia.	Output Keyway & Input Key	A Nom	A1 Nom	AK Pilot Dia.	AL Pilot Dia.	AH	AJ	B Dia Max.	B1 Radius Max	C Mounting Bolts	G	L	Shipping Weight (Lbs)
56DBES-3 56DBES-6 56DBES-10 56DBES-15 56DBES-20 56DBES-25	1.73	5/8"	3/16 x 3/32	3.97	3.36	4.5	4.5	2.12	5.88	6.63	3.46	3/8/16 UNC-2A (4) Equally Spaced on 5.87 Dia. Bolt Circle	2.57	0.13	14.4
140DBES-3 140DBES-6 140DBES-10 140DBES-15 140DBES-20 140DBES-25	1.74	7/8"	3/16 x 3/32	3.97	3.36	4.5	4.5	2.12	5.88	6.63	3.46		2.57	0.13	14.4

For pricing information or to place orders, go to www.PTplace.com

Kits

The following list of available motor Kits may be purchased as a kit only and shipped as a separate item from stock, or the kit can be mounted on an suitable motor and shipped from the modification center.

KIT ONLY PRICING
(Kit shipped separately)

Mounted Kit Pricing *
(Modification Center Order)

C-Face Kit (56 - 140 Frames)

Frame	Enclosure	Ordering Number	Notes	Approx. Wt. (lb)	List Price	Price Symbol
56 *	Basic (TEFC, TENV)	K56H3055	28	2	\$36	RSM01
56, 140 **	Basic (TEFC, TENV)	K56H3063	29	3	36	RSM01

List Price
\$220

(1) Basic (TEFC, TENV) motors that have aluminum end shields. This kit will not mount on XT/EMT/XEX and other enhanced enclosure product that have Cast Iron end shields

* For frames beginning with E ; ie, EB56

** For frames beginning with F ;ie, FB56

C-Face Kit (180T - 400T Frames)

Frame	Enclosure	Ordering Number	Notes	Approx. Wt. (lb)	List Price	Price Symbol
180T	TEFC, TEFC-XT, TEFC-XEX	K18G3	3,12	5	\$125	RSE56
	TEFC	K18G32 c	12	5	125	RSE56
	ODP	K18S33 b	12	3	125	RSE56
	TEFC	K18S34 a	12	3	125	RSE56
180	TEFC U-FRAME	K18G5	3,12	10	125	RSE56
210T, U	TEFC, TEFC-XT, TEFC-XEX	K21G3	3,12	18	125	RSE56
	TEFC	K21G32 c	12	10	125	RSE56
	ODP	K21S33 b*	12	7	125	RSE56
	ODP	K21S35 a**	12	7	125	RSE56
	TEFC	K21S34 a	12	7	125	RSE56
250T, U	TEFC, TEFC-XT, TEFC-XEX	K25G2	3,12	25	163	RSE56
	TEFC	K25G32 c	12	18	163	RSE56
	ODP	K25S33 b	12	15	163	RSE56
	TEFC	K25S34 a	12	15	163	RSE56
280T, U	TEFC, TEFC-XT, TEFC-XEX	K28G2	3,12	32	231	RSE56
	TEFC	K28G32 c	12	25	231	RSE56
	ODP	K28S33 b	12	22	231	RSE56
	TEFC	K28S34 a	12	22	231	RSE56
320T, U	TEFC, TEFC-XT, TEFC-XEX	K32G2	3,12	34	357	RSE56
		K32G32 c	12	57	348	RSE56
360T, U	TEFC, TEFC-XT, TEFC-XEX	K36G2	3,12	40	509	RSE56
		K36G32 c*	12	40	509	RSE56
		K36G35 c**	12	40	509	RSE56
400T, U	TEFC, TEFC-XT, TEFC-XEX	K40G2	3,73	46	764	RSE56

List Price
\$550
\$830
\$1,100

* 1200 RPM ** 3600 RPM

Note: Kits with suffix a, b, or c can only be used on motor models with the corresponding suffix. C-face kits with a suffix when added to a motor will not meet NEMA BA dimension.

D-Flange Kit

Frame	Enclosure	Ordering Number	Notes	Approx. Wt. (lb)	List Price	Price Symbol
180, 180T	TEFC, TEFC-XT, TEFC-XEX	K18G6	3,47	10	\$226	RSE56
210, 210T	TEFC, TEFC-XT, TEFC-XEX	K21G6	3,47	15	\$277	RSE56

List Price
\$675

* Mounted Kit Pricing: Follow the Modification Center Ordering Instructions listed on Page (M-159). Mounted Kit List Price should be added to the suitable Motor List Price. Multiply the resulting total List Price by the motor's discount symbol to get Total Motor Mounted Kit Net Price.

Kits

KIT ONLY PRICING
(Kit shipped separately)

Mounted Kit Pricing *
(Modification Center Order)

Conduit Box Kit - Standard Size

Frame	Enclosure	Conduit Box Material	Ordering Number	Notes	Approx. Wt. (lb)	List Price	Price Symbol	List Price
48, 56	XP	Aluminum	K48H3240	28	1	\$47	RSM01	\$175
56 - 140T	XP	Aluminum	K56G3230	29	1	37	RSM01	
	XP-XT	Cast Iron	K56H3260	29	1	93	RSM01	
180T	TEFC	Cast Iron	K18G7	3	3	46	RSE56	\$210
210T	TEFC	Cast Iron	K21G7	3	3	46	RSE56	
250T	TEFC	Cast Iron	K25G8	3	6	62	RSE56	
280T	TEFC	Cast Iron	K28G8	3	10	62	RSE56	
320T	TEFC	Cast Iron	K32G8	3	15	123	RSE56	
360T	TEFC	Cast Iron	K36G8	3	20	123	RSE56	
400T	TEFC	Cast Iron	K40G8	3	24	135	RSE56	\$420
440T	TEFC	Cast Iron	K44G8	3	26	150	RSE56	

Conduit Box Kit - Oversize (One Frame Size Larger)

Frame	Enclosure	Conduit Box Material	Ordering Number	Notes	Approx. Wt. (lb)	List Price	Price Symbol	List Price
180T	TEFC	Cast Iron	K25G8	3	6	\$62	RSE56	\$210
210T	TEFC	Cast Iron	K25G8	3	6	62	RSE56	
250T	TEFC	Cast Iron	K28G8	3	10	62	RSE56	
280T	TEFC	Cast Iron	K28G9	3	15	120	RSE56	
320T	TEFC	Cast Iron	K36G8	3	20	123	RSE56	
360T	TEFC	Cast Iron	K36G9	3	24	135	RSE56	
400T	TEFC	Cast Iron	K40G9	3	26	150	RSE56	\$420
440T	TEFC	Cast Iron	K44G9	3	30	160	RSE56	

Auxiliary Conduit Box Kits

Frame	Enclosure	Ordering Number	Notes	Approx. Wt. (lb)	List Price	Price Symbol	List Price
180/210	TEFC-XEX	K18G21		4	\$55	RSE56	\$690
250	TEFC-XEX	K25G23		9	60	RSE56	
280	TEFC-XEX	K28G23		9	70	RSE56	
320	TEFC-XEX	K32G23		9	75	RSE56	
360	TEFC-XEX	K36G16		12	140	RSE56	
400	TEFC-XEX	K40G3		15	150	RSE56	
440	TEFC-XEX	K44G5		18	320	RSE56	

Note: Kits are mounted on Main Conduit box.

Drip Cover / Canopy Kit

Frame	Enclosure	Ordering Number	Notes	Approx. Wt. (lb)	List Price	Price Symbol	List Price
56, 140T	TEFC, XT, XP	K56H3008	29	1	\$51	RSM01	\$280
	TEFC, TEFC-XT, TEFC-XEX, XP	K18G2		12	82	RSE56	
	TEFC	K18G19 c		8	82	RSE56	
180T	TEFC	K18S30 a		6	82	RSE56	
	TEFC, TEFC-XT, TEFC-XEX, XP	K21G2		18	103	RSE56	
	TEFC	K21G19 c		10	103	RSE56	
210T	TEFC	K21S30 a		8	103	RSE5	
	TEFC	K25G3		20	250	RSE56	
250T	TEFC	K25S30 a		12	154	RSE56	\$350
	TEFC	K28G3		22	300	RSE56	
280T	TEFC	K28S30 a		18	215	RSE56	

Note: Kits with suffix a, b, or c can only be used on motor models with the corresponding suffix. Does not provide vertical lifting.

* Mounted Kit Pricing: Follow the Modification Center Ordering Instructions listed on Page (M-159). Mounted Kit List Price should be added to the suitable Motor List Price. Multiply the resulting total List Price by the motor's discount symbol to get Total Motor Mounted Kit Net Price.

Kits

KIT ONLY PRICING
(Kit shipped separately)

Mounted Kit Pricing *
(Modification Center Order)

Mill and Chemical Duty Kit - Cast Iron Shroud and Conduit Box

Frame	Enclosure	Ordering Number	Notes	Approx. Wt. (lb)	List Price	Price Symbol	List Price
180T	TEFC	K18G50	3	12	\$150	RSE56	\$550
180T	TEFC	K18G18 c		12	150	RSE56	
210T	TEFC	K21G50	3	15	205	RSE56	
210T	TEFC	K21G18 c		15	205	RSE56	
250T	TEFC	K25G50	3	20	280	RSE56	
250T	TEFC	K25G18 c		20	280	RSE56	
280T	TEFC	K28G50	3	25	330	RSE56	\$830
280T	TEFC	K28G18 c		25	330	RSE56	
320T	TEFC	K32G50	3	30	360	RSE56	
320T	TEFC	K32G18 c		30	360	RSE56	
360T	TEFC	K36G50	3	50	580	RSE56	\$830
360T	TEFC	K36G18 c		50	580	RSE56	

Note: Kits with suffix a, b, or c can only be used on motor models with the corresponding suffix.

Terminal Block Kit -

Mount dual voltage Terminal Strip in Main Conduit Box

Frame	Enclosure	Ordering Number	List Price	Price Symbol	List Price
56 - 140T	TENV,TEFC,TENV-XT,TEFC-XT	K56G3233	\$50	RSM01	\$150

Mount IEC style terminal block in main conduit box

Frame	Enclosure	Ordering Number	List Price	Price Symbol	List Price
180	TEFC, TEFC-XT, TEFC-XEX	K18G0060	\$115	RSE56	\$280
210	TEFC, TEFC-XT, TEFC-XEX	K21G0060	\$115	RSE56	
250	TEFC, TEFC-XT, TEFC-XEX	K25G0060	\$135	RSE56	\$550
280	TEFC, TEFC-XT, TEFC-XEX	K28G0060	\$135	RSE56	
320	TEFC, TEFC-XT, TEFC-XEX	K32G0060	\$185	RSE56	
360	TEFC, TEFC-XT, TEFC-XEX	K36G0060	\$280	RSE56	\$830
400	TEFC, TEFC-XT, TEFC-XEX	K40G0060	\$315	RSE56	
440	TEFC, TEFC-XT, TEFC-XEX	K44G0060	\$315	RSE56	
447&449	TEFC, TEFC-XT, TEFC-XEX	K49G0060	\$525	RSE56	\$1,100

Brake Fast Response Kit - Only for use on "D" Series Brakes.

Frame	Enclosure	Ordering Number	Volts	Approx. Wt. (lb)	List Price	Price Symbol	List Price
56, 140, 180 *	Std. TENV, TEFC, Short Series	031896	230/460	1	\$120	CB20	\$225
56, 140, 180 *	Std. TENV, TEFC, Short Series	031895	115/230	1	108	CB20	
56, 140, 180 **	High Cycle , E-Z Kleen	031425	230/460	1	120	CB20	
56, 140, 180 **	High Cycle , E-Z Kleen	031386	115/230	1	108	CB20	

* Kit for use with large conduit box motors

** Kit for use with small conduit box motors

Brake Rectifier Kit - Replacement Kit

Frame	Enclosure	Ordering Number	Notes	Approx. Wt. (lb)	List Price	Price Symbol	List Price
56, 140, 180	All	024018	For both DBSC & DBSS	1	\$76	CB20	Not Available

* Mounted Kit Pricing: Follow the Modification Center Ordering Instructions listed on Page (M-159). Mounted Kit List Price should be added to the suitable Motor List Price. Multiply the resulting total List Price by the motor's discount symbol to get Total Motor Mounted Kit Net Price.

For additional product information, go to www.reliance.com

Synchronous - Permanent

Synchronous - Reluctance

Kiln Duty

Submersible

Accessories & Kits

Modifications

NOTES

For pricing information or to place orders, go to www.PTplace.com